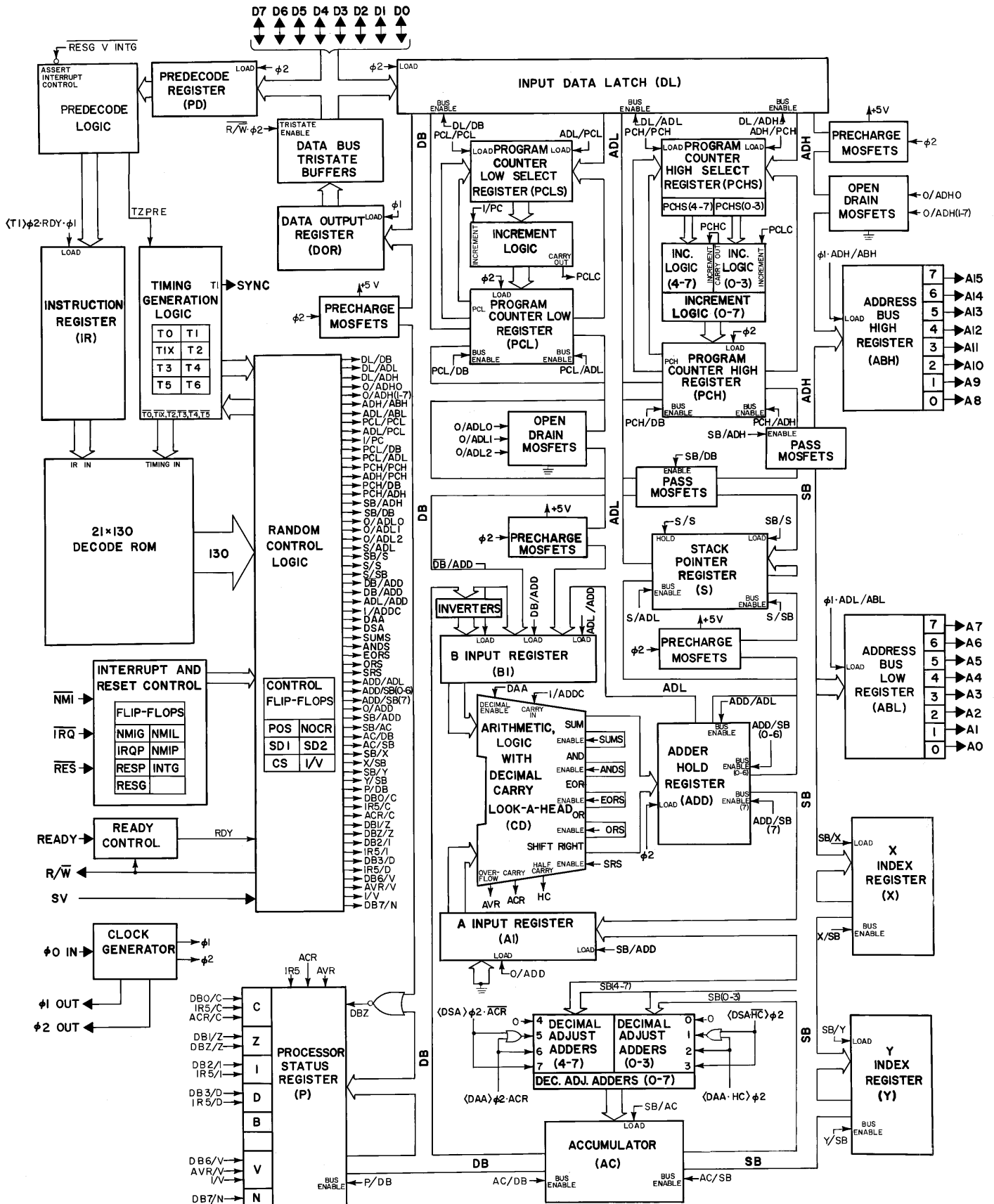


Block Diagram of 6502 Microprocessor, Circa 1979



Donald F. Hanson, Ph.D.